

**DC-18 GHz****MANUAL
STEP ATTENUATORS**

- Broadband Coverage From DC to 12.4 GHz
- Extremely Flat Frequency Response at all Values
- Reversible Rotation

SPECIFICATIONS

FREQUENCY RANGE (GHz)	MODEL	ATTENUATION dB		POWER INPUT		VSWR (Max) DC-12.4	RESETTABILITY (dB)	WEIGHT (Max)	
		NOMINAL STEP	DEVIATION	AVG. (W) Max	PEAK (kW) Max			Oz	Kg
DC-12.4	700B*	0	±0.4	2	0.2	1.45	<0.05	17.6	.5
	4700B*	1	±0.4	2	0.2	1.45	<0.05	17.6	.5
		2	±0.4	2	0.2	1.45	<0.05	17.6	.5
	0-9 In	3	±0.4	2	0.2	1.45	<0.05	17.6	.5
	1 dB	4	±0.4	2	0.2	1.45	<0.05	17.6	.5
	Steps	5	±0.4	2	0.2	1.45	<0.05	17.6	.5
		6	±0.4	2	0.2	1.45	<0.05	17.6	.5
		7	±0.4	2	0.2	1.45	<0.05	17.6	.5
		8	±0.4	2	0.2	1.45	<0.05	17.6	.5
	9	±0.4	2	0.2	1.45	<0.05	17.6	.5	

* Special Order

Attenuators

FREQUENCY RANGE (GHz)	MODEL	ATTENUATION dB		POWER INPUT		VSWR (Max) DC-12.4	RESETTABILITY (dB)	WEIGHT (Max)	
		NOMINAL STEPS	DEVIATION	AVG. (W) Max	PEAK (kW) Max			Oz	Kg
DC-12.4	704B*	0	±0.8	2	0.2	1.50	<0.05	43.2	1.22
	4704B*	1-9	±0.4	2	0.2	1.50	<0.05	43.2	1.22
		10-19	±1.0	2	0.2	1.50	<0.05	43.2	1.22
	0-69/0-99 In	20-29	±1.2	2	0.2	1.50	<0.05	43.2	1.22
	1 dB	30-39	±1.4	2	0.2	1.50	<0.05	43.2	1.22
	Steps	40-49	±1.5	2	0.2	1.50	<0.05	43.2	1.22
		50-59	±1.7	2	0.2	1.50	<0.05	43.2	1.22
		60-69	±1.8	2	0.2	1.50	<0.05	43.2	1.22
		70-79	±2.0	2	0.2	1.50	<0.05	43.2	1.22
		80-89	±2.0	2	0.2	1.50	<0.05	43.2	1.22
	90-99	±2.0	2	0.2	1.50	<0.05	43.2	1.22	

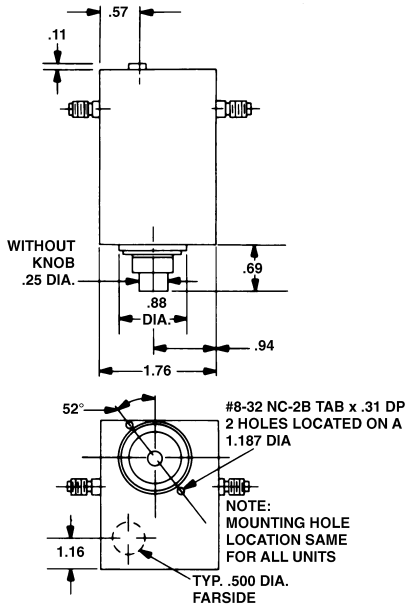
FREQUENCY RANGE (GHz)	MODEL	ATTENUATION dB		POWER INPUT		VSWR (Max)		RESET-TABILITY (dB)	WEIGHT (Max)	
		NOMINAL STEPS	DEVIATION	AVG. (W) Max	PEAK (kW) Max	DC-12.4	12.4-18		Oz	Kg
DC-18	705B*	0	±1.0	2	0.2	1.50	1.65	<0.05	43.2	1.22
	4705B*	1-9	±0.5	2	0.2	1.50	1.65	<0.05	43.2	1.22
		10-19	±1.0	2	0.2	1.50	1.65	<0.05	43.2	1.22
	0-69/0-99 In	20-29	±1.2	2	0.2	1.50	1.65	<0.05	43.2	1.22
	1 dB	30-39	±1.4	2	0.2	1.50	1.65	<0.05	43.2	1.22
	Steps	40-49	±1.5	2	0.2	1.50	1.65	<0.05	43.2	1.22
		50-59	±1.9	2	0.2	1.50	1.65	<0.05	43.2	1.22
		60-69	±2.0	2	0.2	1.50	1.65	<0.05	43.2	1.22
		70-79	±2.2	2	0.2	1.50	1.65	<0.05	43.2	1.22
		80-89	±2.2	2	0.2	1.50	1.65	<0.05	43.2	1.22
	90-99	±2.2	2	0.2	1.50	1.65	<0.05	43.2	1.22	

* Special Order

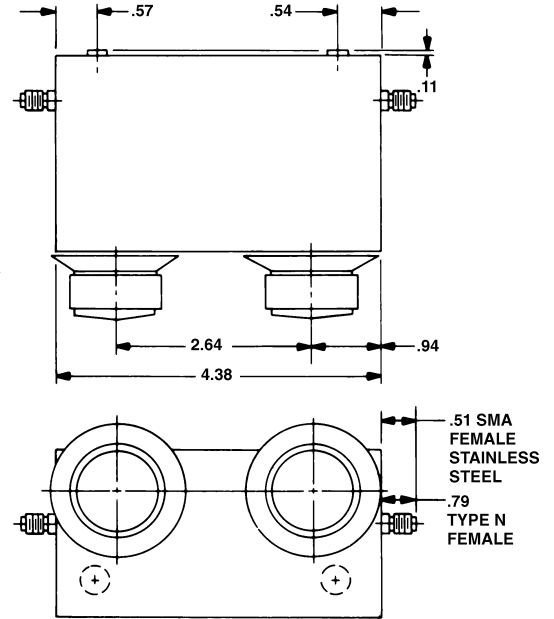
NOTE: 47xx Models have SMA female connectors
7xx Models have Type N female connectors

Attenuators

OUTLINE DRAWINGS



MODELS 700B, 4700B



MODELS 704B, 4704B, 705B, 4705B

All dimensions are Max. unless otherwise specified.